



This is the only home elevator that is completely battery powered - virtually eliminating concerns regarding power outages. The unit can run for days, in BOTH directions, on its own batteries.

- See-thru car and hoistway puts riders at ease
- Sliding radial door is more compact
- No special wiring - runs off of 110v household current
- Modular pre-fab hoistway reduces costs, simplifies installation
- Designed to meet ASME standards

## Lift Specifications:

- Battery operated - runs BOTH directions during power outages
- Capacity: 1-2 persons, 400 lbs
- Length: Up to 14 feet of travel
- Footprint: 38" wide x 48" from wall, or 38" wide x 39" from wall
- Car accommodates small wheelchair, transport chair or rollator
- Car controls: up/down, key-switch, E-stop, alarm, diagnostic LED, car light control switch
- Wireless call-sends are easy to install and enable the rider to call or send unit to either landing
- Fob control for remote use
- Constant low voltage battery charging system
- 250 Watt motor with dual winding steel drums - 2:1 drive
- High tensile strength extruded aluminum track
- Textured, easy to clean, powder coated finish on car and rail
- Hi-grade Z97.1 approved clear acrylic vision panels
- Angled non-skid covered threshold for easy entry
- AWS certified welded steel car frame
- Telephone in car
- Brightly illuminating overhead LED car light - 4 watts, 12 volts
- Carpeted floor for sure footing and comfort
- Designed to meet A17.1-2010/CSA B44-10 section 5.3, Part V of ASME for Private Residence Elevators
- Meets NEC standards for wiring
- Designed, tested, assembled in U.S.A.
- 2 year battery warranty - 3 year warranty on all other items
- Manual lowering device

## Safety Devices & Features:

- Safety hatch on top of car stops travel if 20 lbs or more is on top of car. Can be covered in matching flooring material.\*
- Safety pan under car stops travel if 4 lbs, or more, of force is exerted underneath car.\*
- Two 1/4" diameter, 7x19 GAC cables support the car. Each cable has a breaking strength of 7,000 lbs.
- Sliding radial door allows person to get in and out of elevator in an emergency, even between floors.
- Hand rails inside car to assist and stabilize riders
- Emergency unlocking device for door lock
- UL Listed door interlock - senses door is both closed and locked before allowing unit to operate.
- Regular and final limit switches
- Slack cable safety switches and broken cable safety
- SE units have constant pressure controls so the user controls travel at all times.
- HE and AE units have automatic controls like traditional elevators. Push the button once and go.

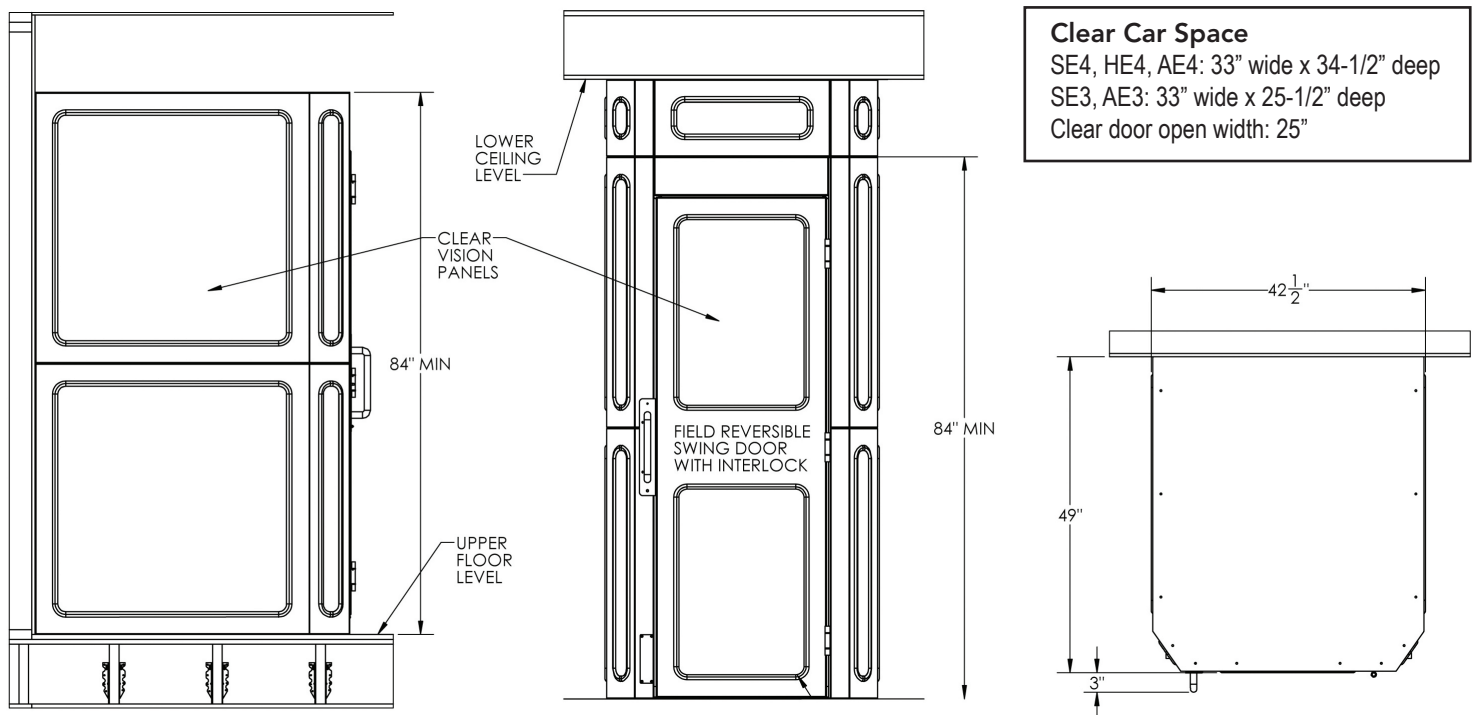
\*Featured on SE models only

## Installation/Maintenance:

- One-day installation (two people), after floor hole and construction is complete.
- Can install on any wall - even non-load bearing!
- Can mount directly to existing concrete or stud walls
- Unassembled to go through any doorway
- Can be installed in room with ceilings as low as 7'6"
- No pit, no machine room, no dedicated outlet required
- Electrical requirements are 110 volt, 2 amps
- Only required maintenance is replacing batteries every 2-3 years.
- Technical service support in the U.S.A.



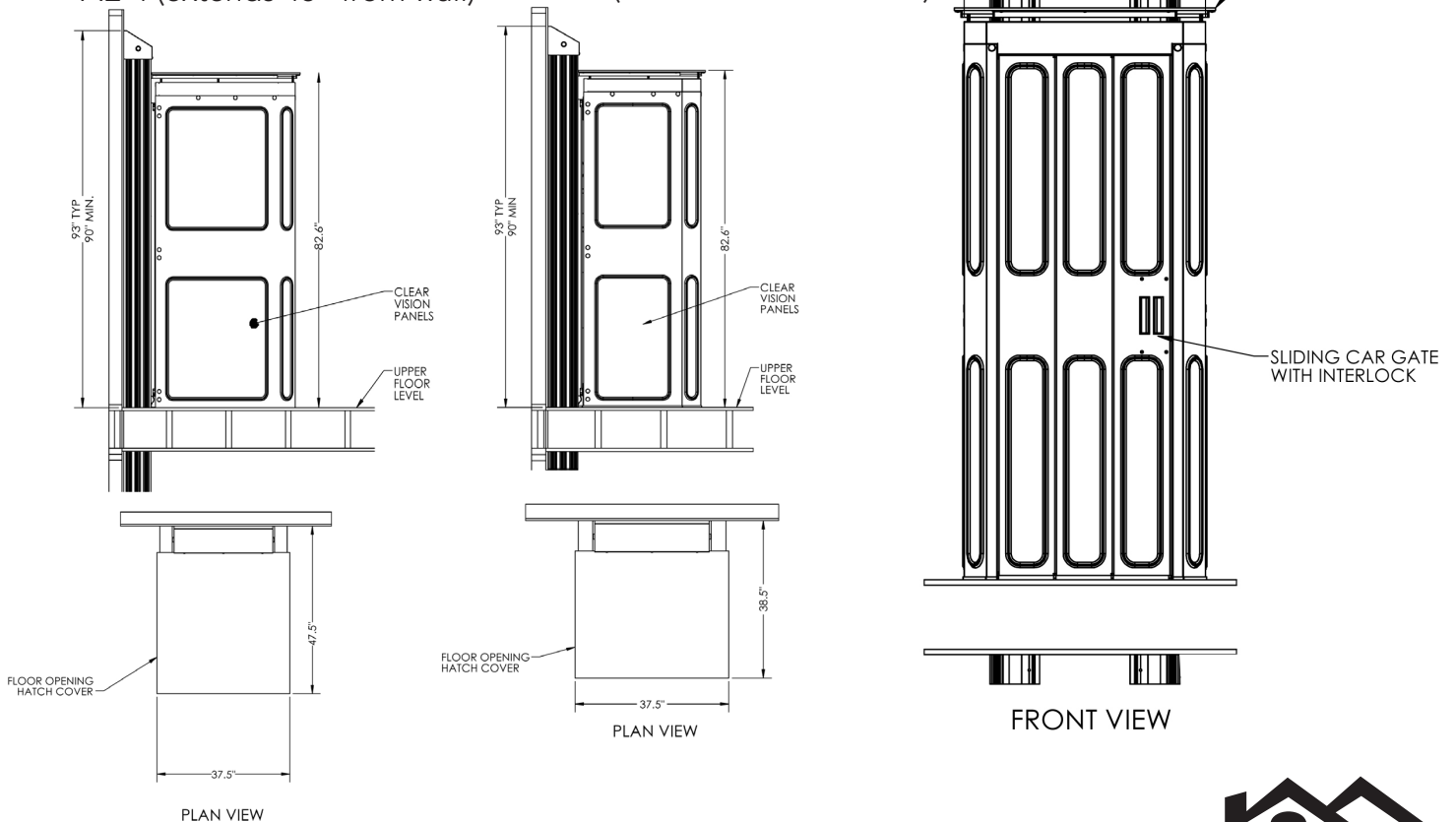
## HE-4 Elevator with Modular See-Thru Hoistway



## SE Shaftless Elevators Requiring No Hoistway AE Elevators for Installing Inside Hoistways

SE-4 (extends 48" from wall)  
 AE-4 (extends 48" from wall)

SE-3 (extends 39" from wall)  
 AE-3 (extends 39" from wall)



Dimensions shown are nominal and subject to change without notice.

Staying Home Corp. • PO Box 37, Harrisonville, MO 64701 • info@stayinghome.com • 877-378-4275 • (f) 816-380-1008