

I LOVE HOW I CAN SEE WHERE I'M GOING,
and I can use my personal elevator
EVEN DURING A POWER OUTAGE.



EZ6 Shown

Staying Home - RESIDENTIAL ELEVATOREZ - SHAFTLESS

Through-the-floor lift without hoistway

2 & 3 STOPS AVAILABLE

BATTERY POWERED

EZ4 Shown

Can be installed in hoistway and provided with automatic controls.

The SHC elevator virtually eliminates concerns regarding power outages. The unit can run multiple trips (10+), in BOTH directions, on its own batteries.

EZ3 EZ4 EZ5 - STANDARD EQUIPMENT INCLUDES:

GENERAL:

- Travel to 14' on 2-stop units at 10-12 fpm
- Travel to 21' on 3-stop units (hoistway install only) at 15 fpm
- Maximum stops: 2 shaftless, 3 with hoistway enclosure
- Capacity: 400 lbs
- Extruded 6063 grade aluminum track
- Dual winding drum drive with 1/4" aircraft cables – 7,000 lb breaking strengths

CAR:

- Finish: RAL 9002 powder coated with clear vision panels
- Configuration: Front entry, side entry or pass-thru
- Fold-down seat
- Sliding car door with clear vision panels

CONTROLS:

- Battery powered with charger
- Constant pressure controls on shaftless units
- Automatic controls on enclosed/hoistway units
- RF wireless call stations/Key Fob
- Diagnostic LED indicator

SAFETY DEVICES:

- Limit switches at each stop
- Final limit at top
- Emergency stop and alarm
- Honeywell door interlock
- Hatch cover with sensors
- Safety pan on bottom of car
- Slack cable device
- Phone

OPTIONAL COLORS AVAILABLE

3 YEAR WARRANTY
TWO YEARS ON BATTERIES



SLIDING DOOR



FOLD DOWN SEAT/TELEPHONE



EASY CONTROLS

AUTOMATIC ELEVATOR EZ6 - Hoistway Enclosure Required

STANDARD EQUIPMENT INCLUDES:

GENERAL:

- Travel to 21' on 3-stop units at 15 fpm
- Capacity: 500 lbs
- Extruded 6063 grade aluminum track
- Dual winding drum drive with 1/4" aircraft cables – 7,000 lb breaking strengths
- Maximum stops: 3
- Installed in hoistway/enclosure

CAR:

- Fold down car seat
- Finish: RAL 9002 powder coated with clear vision panels
- Automatic lighting system
- 36" wide car door opening*
- Single entry or 90 degree entry configurations

CONTROLS:

- Battery powered with charger
- Automatic operation
- RF wireless call stations
- Diagnostic indicator (LED)

SAFETY DEVICES:

- Emergency stop and alarm
 - Slack cable device
 - Car door switch
 - Honeywell door interlock
 - Phone
- * Except on 90 degree car applications.

Easy to retrofit into beach-front properties.

No pit or machine room required.

Makes carrying luggage and groceries easy and convenient.



- * Easy Installation by Factory-Trained Technicians
- * Wheelchair Accessible Elevator
- * Safety Made Simple
- * Affordable Home Elevator Designed With You in Mind

CLEAR VISION PANEL PANEL OPTION FOR CAR WALLS:



Solid car walls shown typical for hoistway installation.



LARGE ENOUGH FOR A WHEELCHAIR

2 & 3 STOPS AVAILABLE



Shown with SHC enclosure.



ELEVATE YOUR LIFE

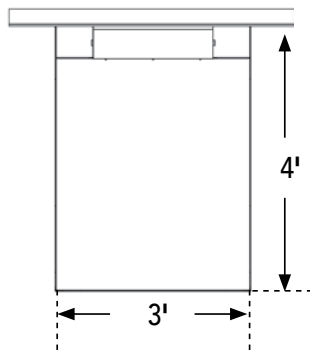
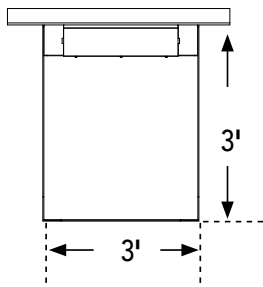
FOOTPRINT OF SPACE REQUIREMENT

Dimensions shown are approximate space taken up by the elevator

MULTIPLE OPTIONS:
CHOOSE WHAT IS RIGHT FOR YOU!

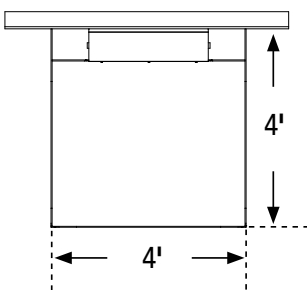
Residential Elevator - EZ3 & EZ4

FRONT ENTRY



Residential Elevator - EZ5

SIDE ENTRY/PASS THRU

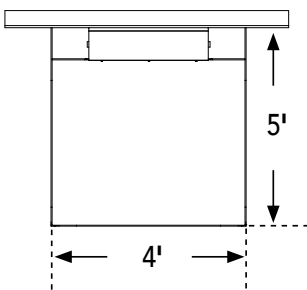


- Dimensions shown are nominal and subject to change without notice.
- Dimensions are rough floor space requirements.
- Not for construction. Detailed drawings for construction will be provided by approved dealer.
- Some photos shown in this brochure include optional equipment.
- Two to three stops based on model.



Residential Elevator - EZ6

ALL CONFIGURATIONS AVAILABLE



- Stay safely in your home - cost of elevator same as 90 days in nursing home and home value is increased.
- Only U.S. manufacturer of shaftless and battery-powered elevators
- Half the price of traditional elevators for existing homes.
- Installers available nationwide.
- Battery power allows use even when electricity goes out.



Staying Home Corp. • P.O. Box 37, Harrisonville, MO 64701

2501 Anaconda Rd, Harrisonville, MO 64701

info@stayinghome.com • www.stayinghome.com • (p) 877-378-4275 • (o) 816-380-2427

